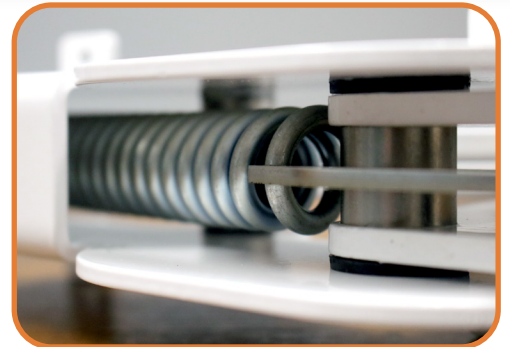
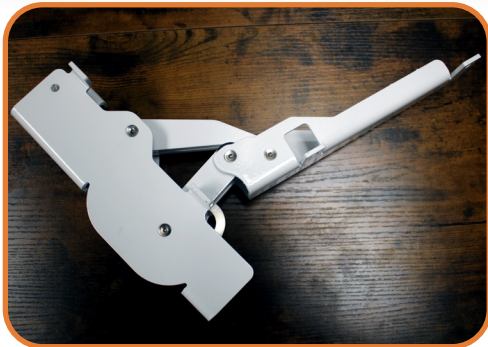




# SLIM-INTEGRATED SERIES APPLIANCE HINGES: SI.1 HINGE



Fueled by **Vectis™** motion control technology, the new **Slim-Integrated Series Appliance Hinge, the SI.1 Hinge**, provides high-end appliance manufacturers with a long-lasting, feature-packed concealed hinge solution.

The **SI.1 Hinge** not only allows appliances that are set between two sets of cabinets to match their look and create a seamless kitchen design, but its slim design allows the hinge to beautifully blend into the background of the appliance when the doors are open. Engineered to be reversible and available in multiple colors, the **SI.1 Hinge** is revolutionizing professional kitchen aesthetics and technology.



Weber Knapp Co.

441 Chandler Street  
Jamestown, NY 14701  
info@weberknapp.com  
800.828.9254



# SLIM-INTEGRATED SERIES APPLIANCE HINGES:

## SI.1 HINGE



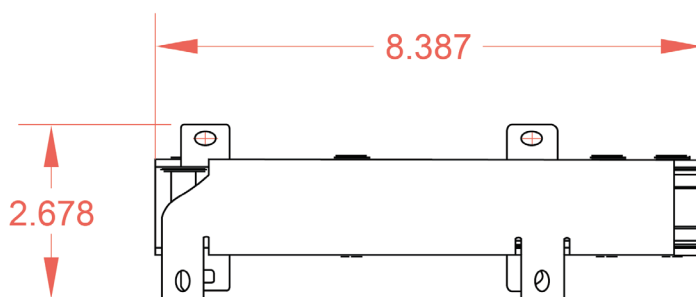
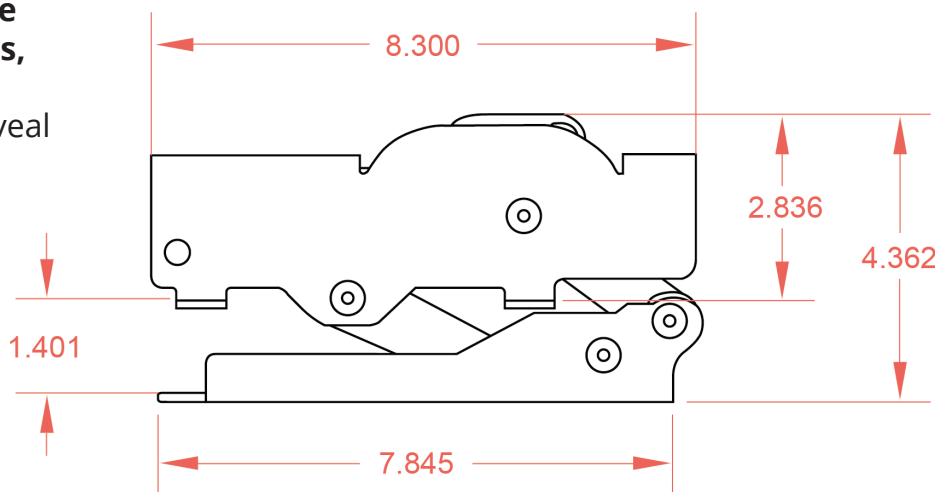
Designed to work with built-in, panel-ready, and integrated doors, the SI.1 Hinge offers a plethora of features, including:

- » Flush door panel mounting w/a 1/8" reveal
- » Self-closing
- » Soft open stop
- » High cycle life (300,000 cycles)
- » High load capacity
- » High-strength and durable materials
- » Max. Door Width: 30 inches
- » Max. Door Weight: 160 lbs
- » Max. Opening Angle: 110 degrees
- » Available in White, Gray, or any custom color (based on volume)

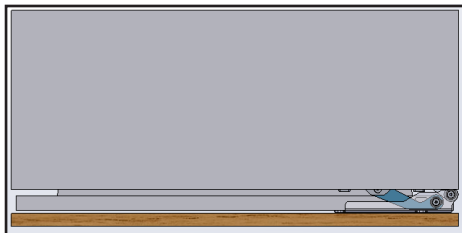
### HINGE MATERIALS:

- » Powder-coated steel hinge arms and brackets
- » Stainless steel turnings
- » Engineered plastic spacers, bushings, and bumpers
- » Food safe grease
- » Zinc plated hardware and spring

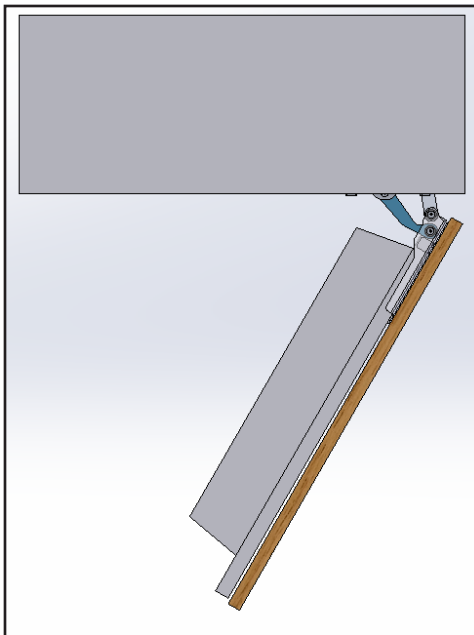
### Hinge Specifications



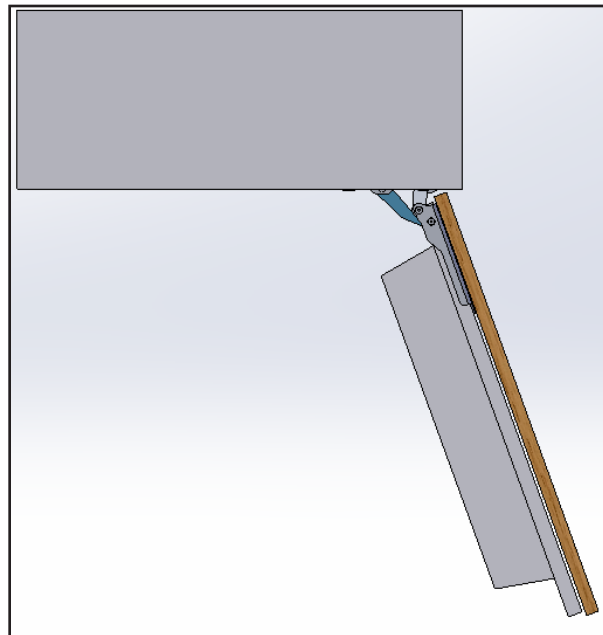
FULLY CLOSED



60% OPEN



110% OPEN



### WHAT'S NEXT FOR THE SLIM-INTEGRATED SERIES?

Keep a look out for the launch of the **SI.2 Stainless Steel Wine Cooler Hinge**.

- » Contact us today to get started designing your own custom project!