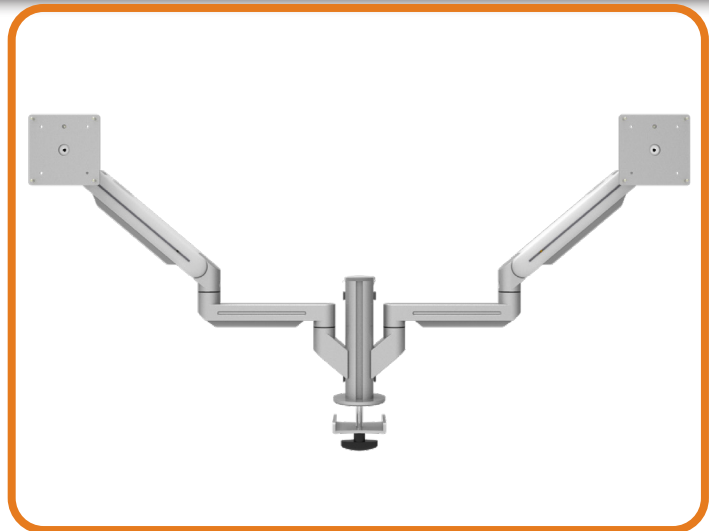
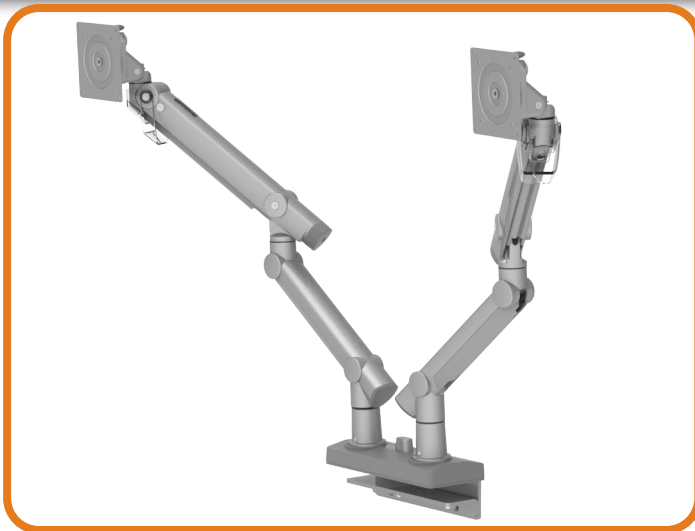


# PNEUMATIC MONITOR ARMS:

Fueled by



## The Dragonfly Light Duty **and** the DynaFly Heavy Duty



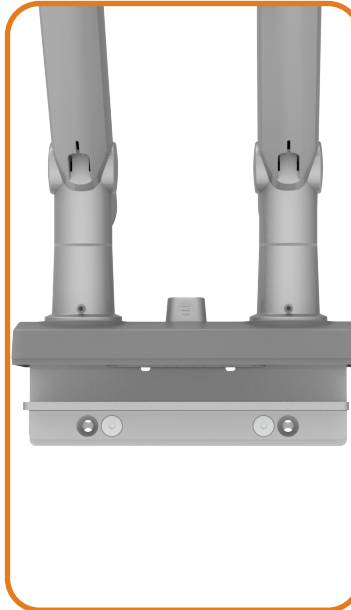
Customize your office space in an ergonomically friendly way and boost productivity with our latest Pneumatic Monitor Arm advancements. Each product is available in a dual or single-arm model.



**Weber Knapp Co.**  
441 Chandler Street  
Jamestown, NY 14701  
sales@weberknapp.com  
800.828.9254



# HIGHLIGHTS:



## ADJUSTABILITY

Gas spring mounts provide a broad range of motion, allowing you to adjust your monitor's position with minimal effort. This ease of adjustment makes it simple to transition between sitting and standing positions.

## ERGONOMICS

These mounts support proper ergonomic practices, helping to reduce the risk of neck and back pain, eye strain, and fatigue by promoting a comfortable and healthy posture.

## SPACE-SAVING

With their compact design, gas spring mounts free up valuable desk space, resulting in a clean and organized workstation.

## AESTHETIC APPEAL

Featuring a sleek and modern design, gas spring mounts enhance the look of contemporary office setups.



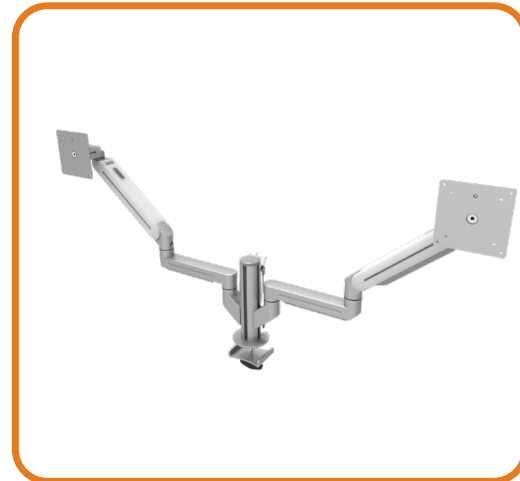
**Weber Knapp Co.**  
441 Chandler Street  
Jamestown, NY 14701  
sales@weberknapp.com  
800.828.9254



# DRAGONFLY LIGHT DUTY



33121 Single Arm (EGNA-202-S)



33122 Dual Arm (EGNA-302-S)

## SPECIFICATIONS:

LCD/TV SIZE	LOADING RANGE	PAN	ROTATION	TILT SWIVEL	VESA	QUICK RELEASE
≤34"	3.3-17.6 lbs	180°	360°	+90°/ -40° +/-40°	75x75mm/ 100x100mm	Yes

## KEY FEATURES:

- Screen Tilting Adjustments
- Screen Rotation Adjustments
- Angle Indicator
- Upper Arm Cable Management
- Lower Arm Cable Management
- Quick-release VESA plate
- Screen Weight Indicator
- Tension Adjustment
- Tool Storage
- 180 degree Stop
- Color- Silver (*black arms are available by special order*)
- Available in Clamp or Grommet Mount



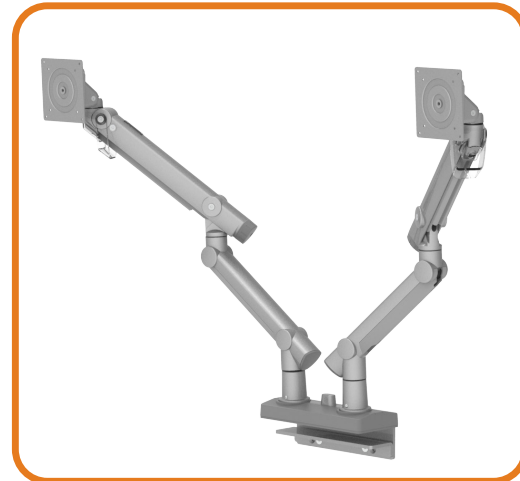
**Weber Knapp Co.**  
 441 Chandler Street  
 Jamestown, NY 14701  
 sales@weberknapp.com  
 800.828.9254



# DYNAFLY HEAVY DUTY



33123 Single Arm (EGDP-202)



33124 Dual Arm (EGDP-202D)

## SPECIFICATIONS:

LCD/TV SIZE	LOADING RANGE	PAN	ROTATION	TILT SWIVEL	VESA	QUICK RELEASE
≤49"	4.4-44 lbs	150°	360°	+90°/ -40° +/-40°	75x75mm/ 100x100mm	Yes

## KEY FEATURES:

- Screen Tilting Adjustments
- Screen Rotation Adjustments
- Angle Indicator
- Upper Arm Cable Management
- Lower Arm Cable Management
- Quick release VESA plate
- Screen Weight Indicator
- Tension Adjustment
- Tool Storage
- 150 degree Stop
- Top Mount Base
- Color- Silver (*black arms are available by special order*)
- Available in Clamp or Grommet Mount



**Weber Knapp Co.**  
 441 Chandler Street  
 Jamestown, NY 14701  
 sales@weberknapp.com  
 800.828.9254

