



SI.2 STAINLESS STEEL WINE COOLER HINGE.

Designed with Vectis motion control technology the SI.2 Wine Cooler Hinge, is the newest addition to our Slim-Integrated Appliance Hinge Series. It is the perfect addition for manufacturers looking for a concealed hinge solution that is reliable and feature-packed.

The SI.2 Hinge is revolutionizing professional kitchen aesthetics and technology with its capabilities and seamless design that allows it to blend into the background of the appliance when doors are open.

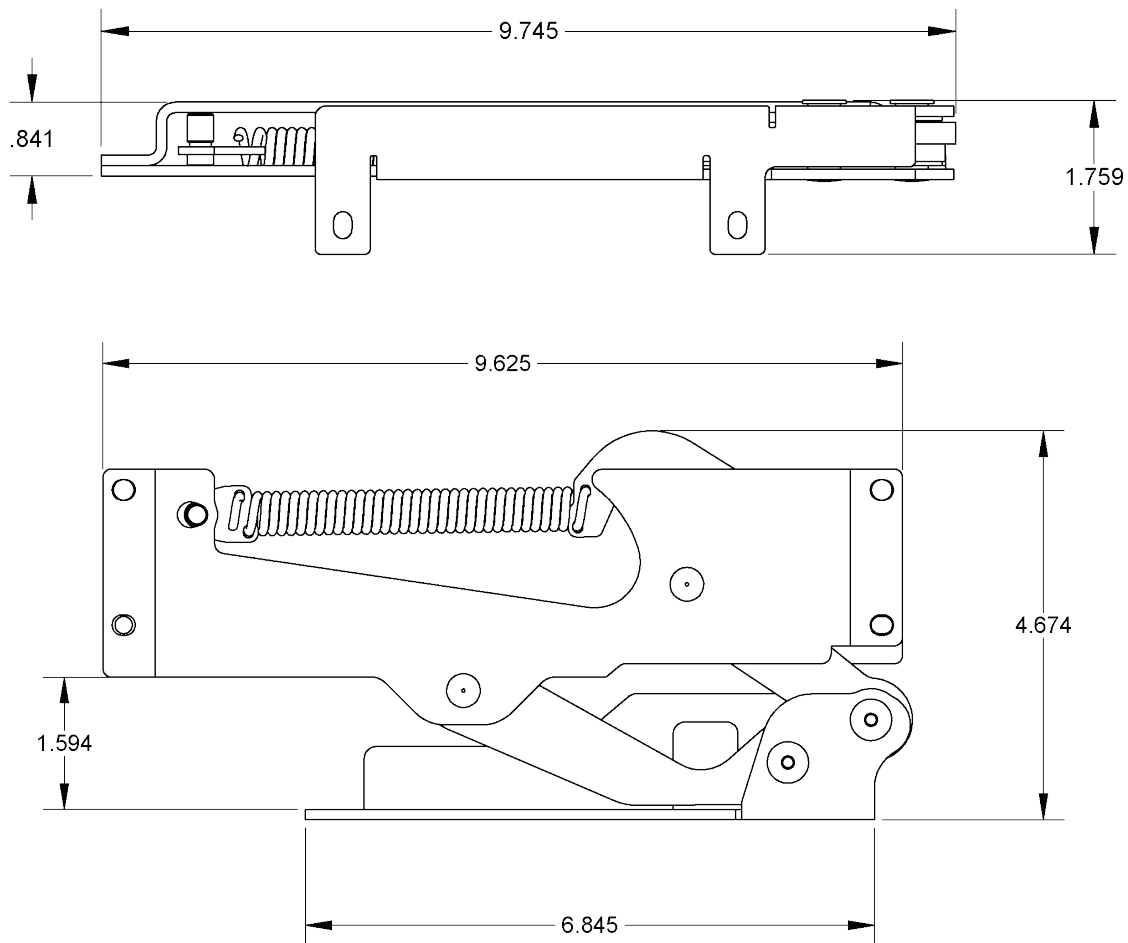


Fueled by
Vectis Technology

Weber Knapp Co.
441 Chandler Street
Jamestown, NY 14701
sales@weberknapp.com
800.828.9254

 **WeberKnapp**

SI.2 STAINLESS STEEL WINE COOLER HINGE.



FEATURES:

- Flush door panel mounting w/ a 1/8" reveal
- Self-closing
- High cycle life (150,000 cycles)
- High-strength and durable materials
- Max. Door Width: 24 inches
- Max. Door Weight: 40 Lbs
- Opening Angle: 110 degrees

HINGE MATERIALS:

- Powder-coated (FDA-approved)
- Stainless steel hinge arms and brackets
- Stainless steel turnings
- Engineered plastic spacers, bushings
- Food safe grease
- Stainless Steel spring

Contact us today to get started designing your own custom project!