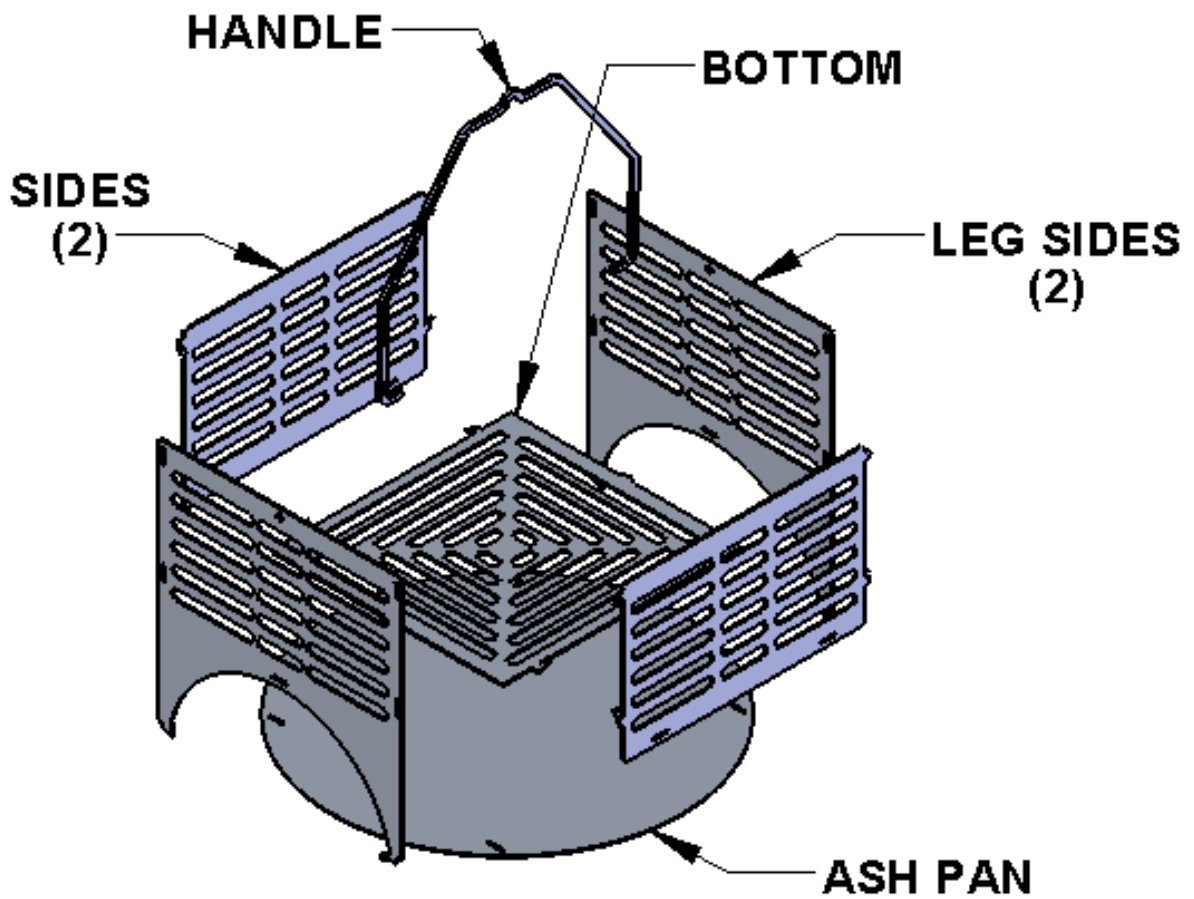


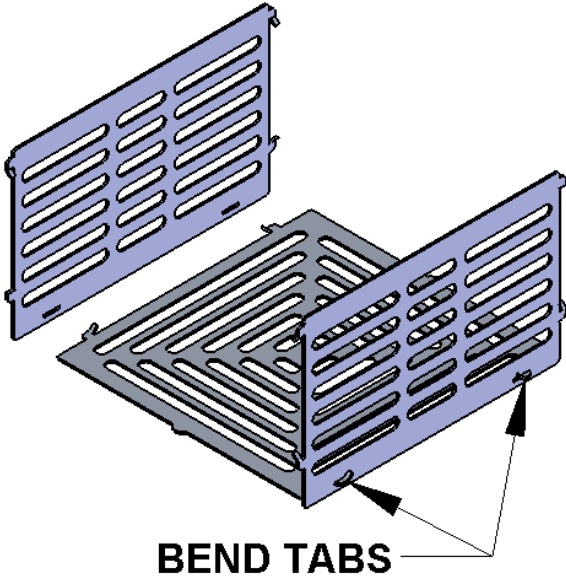
CHARCOAL BASKET PARTS LIST



TOOLS NEEDED:

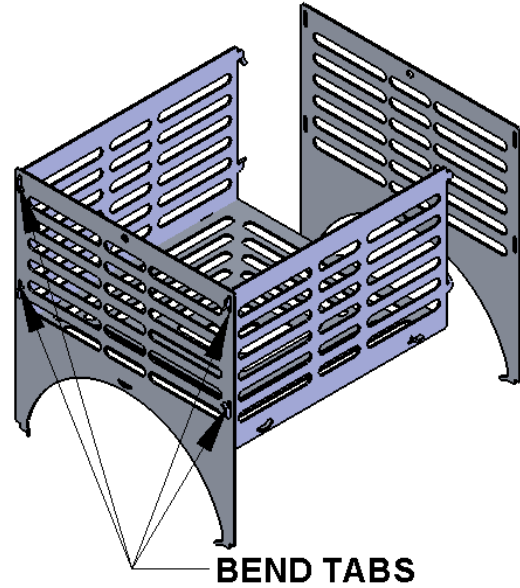
ADJUSTABLE WRENCH OR PLIERS

STEP 1



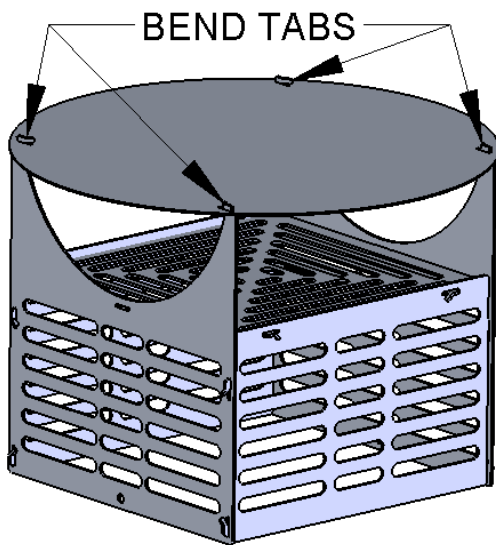
INSERT THE BOTTOM INTO THE SIDE SLOTS.
TO LOCK TOGETHER, BEND THE (2) TABS
WITH AN ADJUSTABLE WRENCH OR PLIERS
REPEAT ON OTHER SIDE

STEP 2



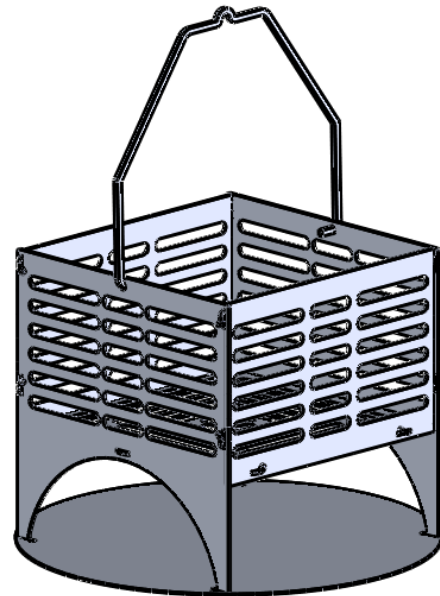
INSERT THE FOUR TABS INTO THE LEG SIDE SLOTS
TO LOCK TOGETHER, BEND THE (4) TABS
WITH AN ADJUSTABLE WRENCH OR PLIERS
REPEAT ON OTHER SIDE

STEP 3



FLIP BASKET OVER AND INSERT (4) TABS
INTO (4) ASH PAN SLOTS. TO LOCK TOGETHER
BEND THE (4) TABS WITH AN ADJUSTABLE
WRENCH OR PLIERS

STEP 4



FLIP BASKET OVER AND SPREAD HANDLE
OPEN AND INSERT ENDS INTO THE (2) HOLES
OF THE LEG SIDES TO COMPLETE ASSEMBLY