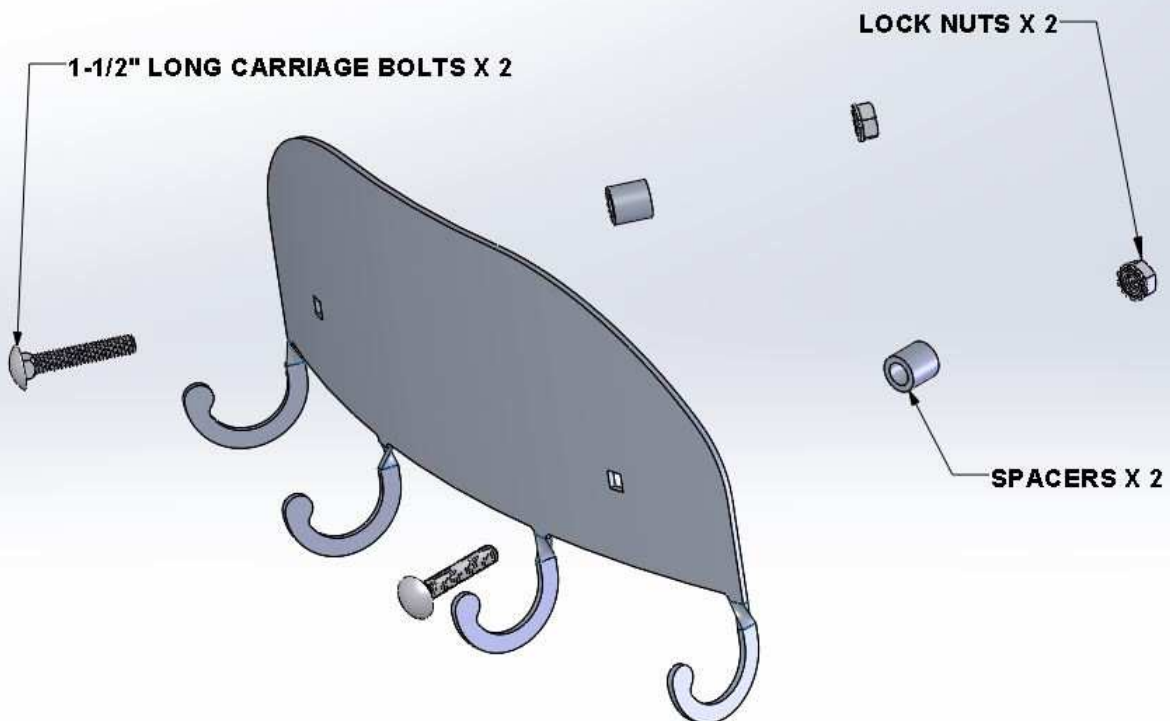


## UTENSIL HOLDER KIT PARTS LIST



### TOOLS NEEDED:

PENCIL OR MARKER

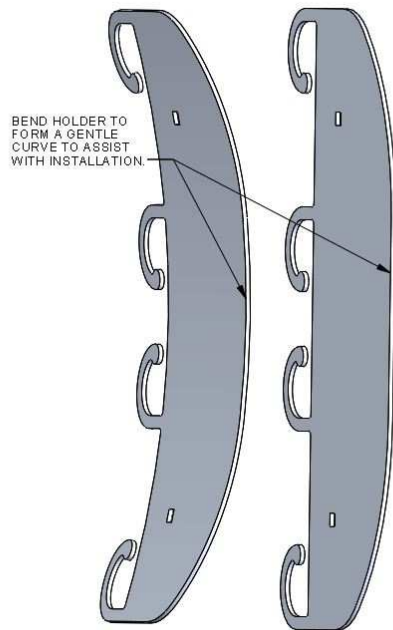
HAND DRILL

ADJUSTABLE WRENCH OR PLIERS

5/16" DIA. DRILL BIT

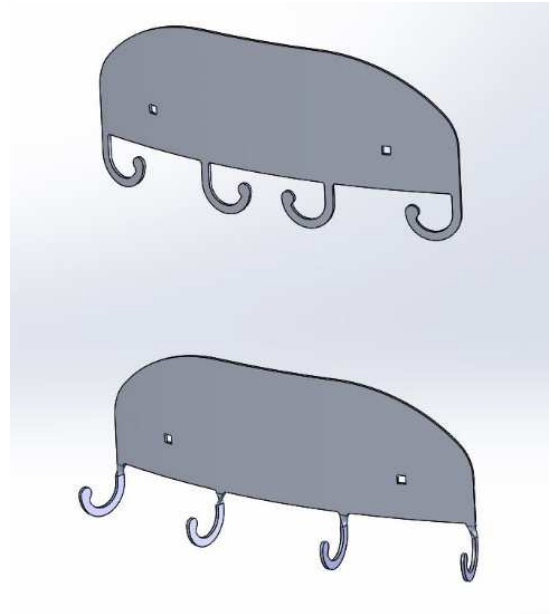
7/16" WRENCH OR SOCKET

### STEP 1



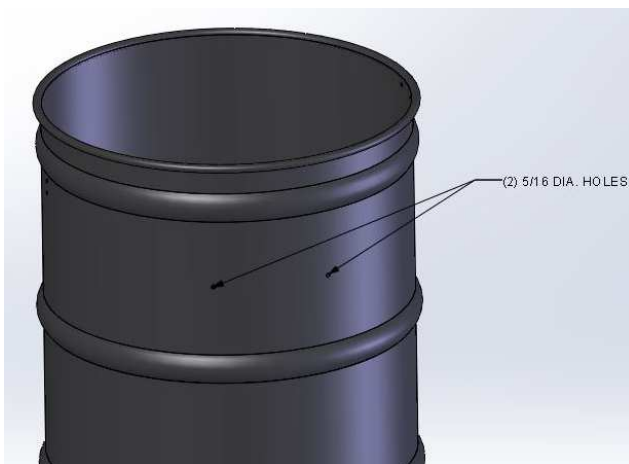
OVER THE SIDE OF YOUR DRUM OR OTHER STURDY SUPPORT FORM HOLDER INTO A GENTLE CURVE.

### STEP 2



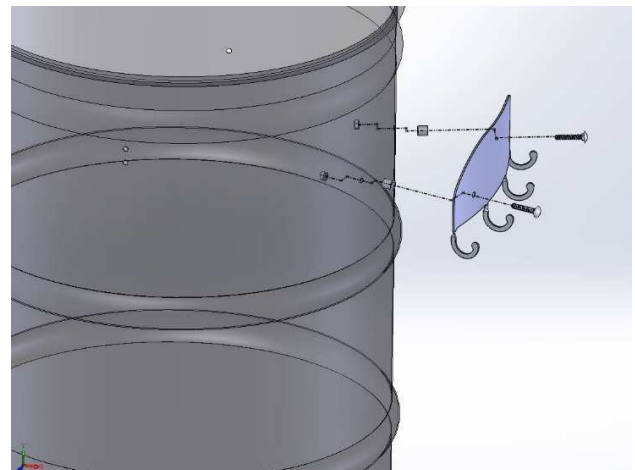
WITH ADJUSTABLE WRENCH OR PLIERS, TWIST THE (4) HOOKS OUT APPROXIMATELY 90 DEGREES.

### STEP 3



LAYOUT, MARK, AND DRILL (2) 5/16" DIA. HOLES APPROXIMATELY 8" DOWN FROM DRUM TOP LIP.

### STEP 4



MOUNT THE HOOKS WITH THE SPACERS AND THE CARRIAGE BOLTS TO THE DRUM.